

800 SERIES FRYERS

FRE Models - Electric

- High efficiency - all the energy goes into the oil.
- Unique pan design maximises heat transfer to minimise energy use.
- Stainless Steel pan for easy cleaning.
- Stainless Steel baskets.
- Front cool zone with crumb arrester for longer oil life.
- Cover/joiner strips available for multi-unit installations.
- Electronic thermostat.
- All models available with & without line-up nosing.
- 12 months parts & labour warranty.
- 10 year parts availability guarantee.
- Manufactured in Australia.



OTHER OPTIONS FOR FRE MODELS:

- Line-up nosing (adds 40mm to depth)
- Night Lid
- Castors and tether
- Cover/joiner strips

MODELS:

FRE-18/1D(L)

2 baskets
(Line-up nosing)



FRE-24D(L)

3 baskets
(Line-up nosing)



FRET-18D(L)

2 baskets, split pan
(Line-up nosing)



AUSTRALIA'S PREMIER FOOD SERVICE EQUIPMENT MANUFACTURER

QUALITY

INNOVATION

SUSTAINABILITY

CREATIVITY

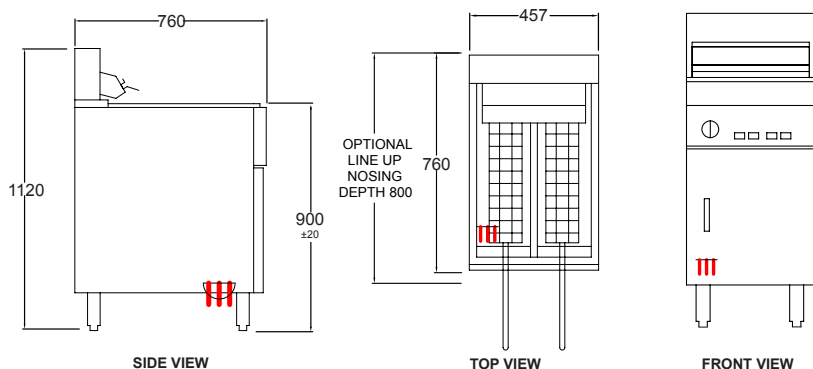
1800 013 123

goldsteineswood.com.au

800 SERIES FRYERS

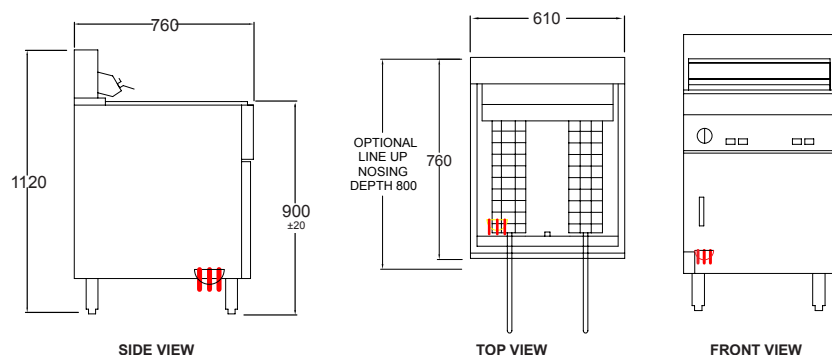
FRE Models - Electric

FRE-18/1D(L) 2 baskets (Line-up Nosing optional)



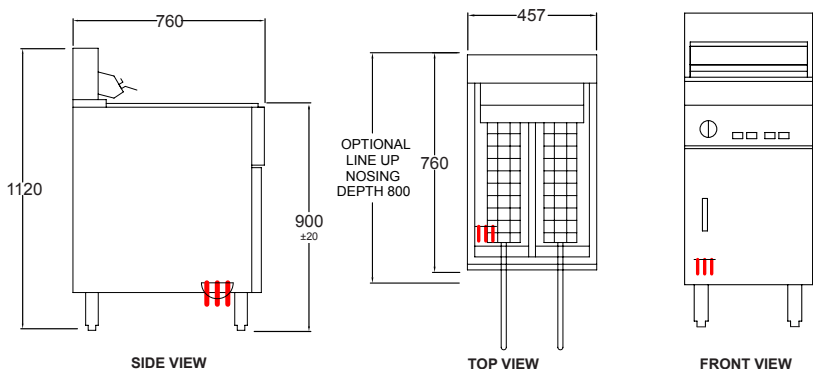
Specifications:	
Dimensions (WxDxH):	457 x 760* x 1120 mm
Working Height:	900 mm (± 20mm)
Pan Size (WxDxH):	405 x 390 x 275 mm
Weight:	65 kg
Packed:	0.4 m ³
Electric Connection:	3 phase, 415V+N+E
Rating:	21 kW
Capacity:	32 L
*800mm for line-up model	

FRE-24D(L) 3 baskets (Line-up Nosing optional)



Specifications:	
Dimensions (WxDxH):	610 x 760* x 1120 mm
Working Height:	900 mm (± 20mm)
Pan Size (WxDxH):	555 x 390 x 275 mm
Weight:	90 kg
Packed:	0.5 m ³
Electric Connection:	3 phase, 415V+N+E
Rating:	21 kW
Capacity:	45 L
*800mm for line-up model	

FRET-18D(L) 2 baskets, split pan (Line-up Nosing optional)



Specifications:	
Dimensions (WxDxH):	457 x 760* x 1120 mm
Working Height:	900 mm (± 20mm)
Pan Size (WxDxH):	195 x 395 x 275 mm
Weight:	65 kg
Packed:	0.4 m ³
Electric Connection:	3 phase, 415V+N+E
Rating:	14 kW
Capacity:	17 L per pan
*800mm for line-up model	



Goldstein Eswood
 211 - 217 Woodpark Road SMITHFIELD NSW 2164
 Telephone: 1800 013 123 Fax: (02) 9604 5420
 Email: sales@goldsteineswood.com.au
 service@goldsteineswood.com.au

Proudly Distributed By



Brochure ID: C29 - 05/14

- Efficient energy delivery
- Widest range of options
- Australian designed
- Australian made
- 12 months parts & labour warranty
- 10 years parts availability guarantee
- Service and support 365 days a year

goldsteineswood.com.au

Goldstein Eswood continually strive to improve all of our products, therefore specifications may be amended from those printed in this brochure without notice.