

W.URN hot water urns

COUNTERTOP SERIES

APPLICATIONS

- Reliable volume hot water dispenser for canteens, function rooms and catering facilities

FEATURES & BENEFITS

- Quality stainless steel construction in 3 sizes
- Double skinned insulated tank for increased safety
- Sight glass to check water level
- Heat resistant handles
- Twist-lock lid for added safety
- Thermostat control with indicator lights for heating and ready for use
- Concealed element makes unit easy to clean
- Overtemp cutout switch with manual reset
- Non-drip tap
- Supplied with 10 Amp plug & lead

SPECIFICATIONS

WURN10

Capacity 10 litres 2.2kW

H 475 D 235 Weight 4kg

WURN20

Capacity 20 litres 2.2kW

H 500 D 325 Weight 4kg

WURN30

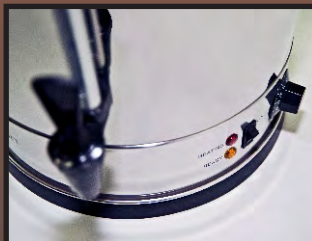
Capacity 30 litres 2.2kW

H 630 D 325 Weight 5kg

Dealer:



10 litre model shown

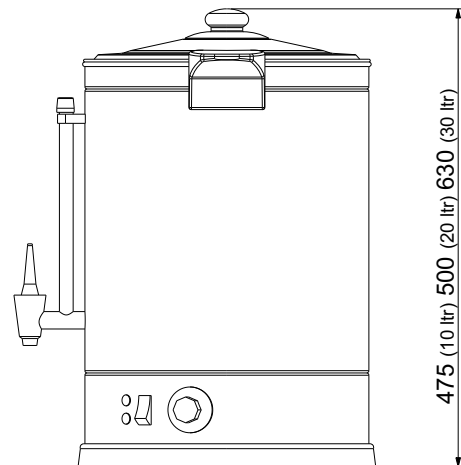
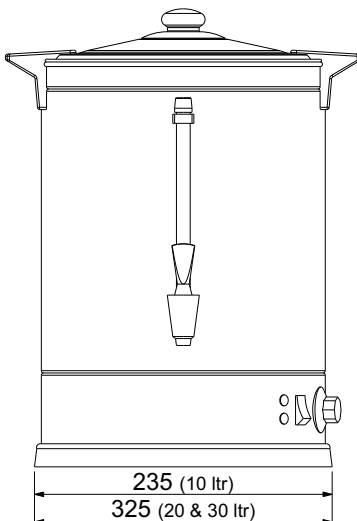


Indicator lights for practicality



Lockable lid for added safety

W.URNxx



We reserve the right to alter specifications of products without notice

For details of your local dealer, contact:

QLD
Tel: 07 3440 7600
Fax: 07 3344 1000
fse@stoddart.com.au

NSW
Tel: 02 8832 4399
Fax: 02 8832 4355
sydney@stoddart.com.au

VIC & TAS
Tel: 03 9565 4699
Fax: 03 9565 4655
melbourne@stoddart.com.au

WA
Tel: 08 9414 1343
Fax: 08 9414 1361
perth@stoddart.com.au

SA & NT
Tel: 1300 79 1954
adelaide@stoddart.com.au